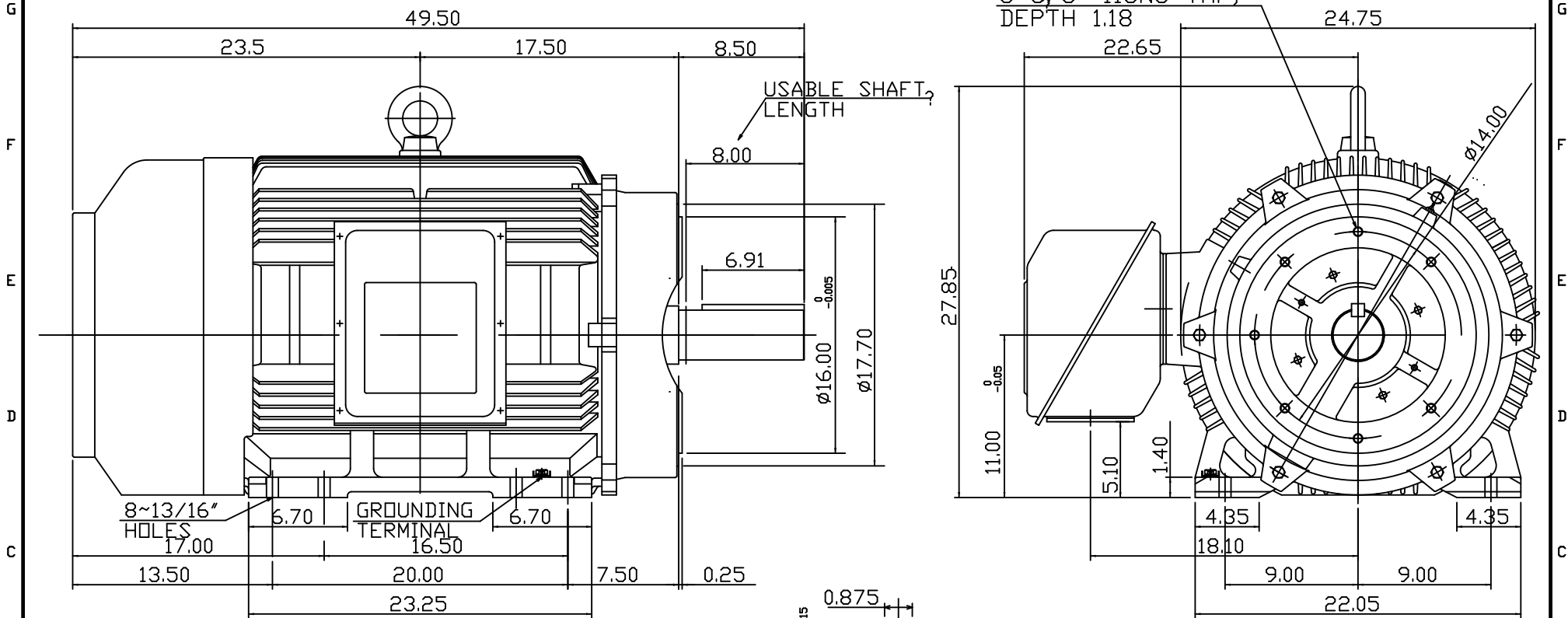


TYPE	POLE	HP	kW	FRAME	VOLT	Hz	INS. CLASS	TIME RATING	SYN. SPEED R.P.M.	BEARINGS	
AEHH8P	4	200	149.2	447TC	460	60	F	CONT.	1800	DE: 6320	NDE: 6316



- NOTE:
1. FOR DIRECT FLEXIBLE COUPLING
  2. ENCLOSURE: IP44 PROTECTION
  2. APPROX. WEIGHT 1900 LBS.

OUTLINE DIMENSIONS			
3-PHASE INDUCTION MOTOR			
CATALOG #:	NP2004C		
DATE:	052213		
DWN BY:	C. COOK		

DWG NO.  
NP2004C